

## ZipSet Setting Tool

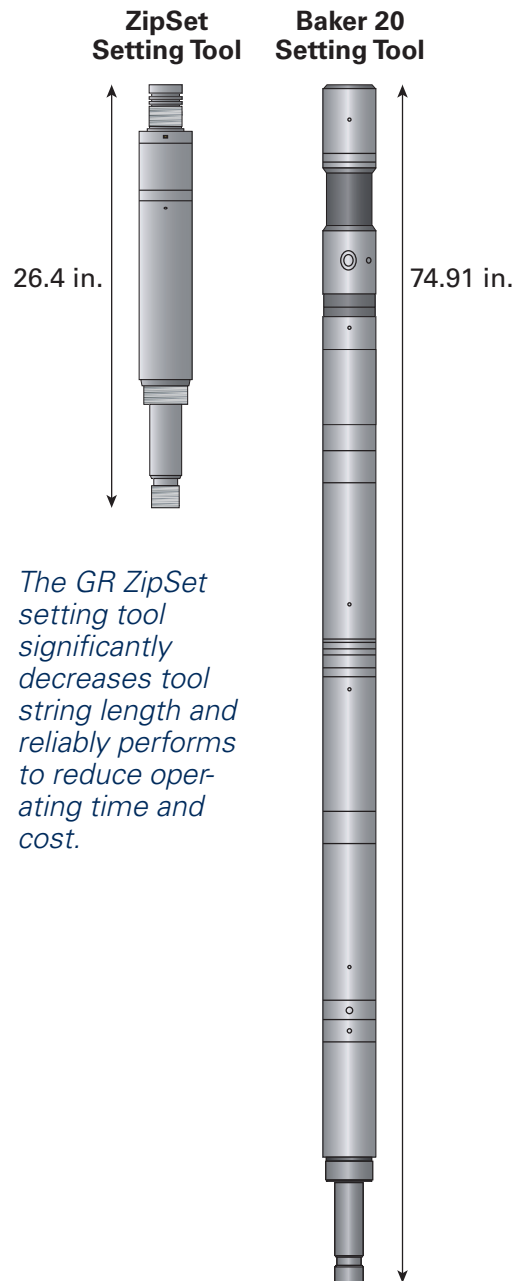
The GR ZipSet\* tool is a one-time-use, disposable setting tool that significantly decreases perforating string length, operating time and the chance of human error. The disposable tool ensures all tolerances are within specifications, leading to optimal plug-setting performance.

The ZipSet tool can be run independently or as part of the GR ZIP Intervention Platform\*. Here are the advantages of using the highly reliable ZipSet tool:

- Greatly decreases tool string length
- Disposable and requires no inspection
- No ports
- No redress
- Self-bleeds
- Preassembled
- Saves time
- Baker-style hookup

	Stroke Length	Setting Force	Pressure Rating
ZipSet 10	5.5 in.	30,000 lbf	20,000 psi
ZipSet 20	7 in.	60,000 lbf	20,000 psi

# ZIP Set



*The GR ZipSet setting tool significantly decreases tool string length and reliably performs to reduce operating time and cost.*

\*Mark of GR Energy Services